

NORTH
EAST
COLOR

Reverse Glow Avocado Sign

INSTALLATION GUIDE

SKU# CT1004 | ver. 070623

For Support Call: 603.436.8210



Two Persons are
Recommended
for this Installation

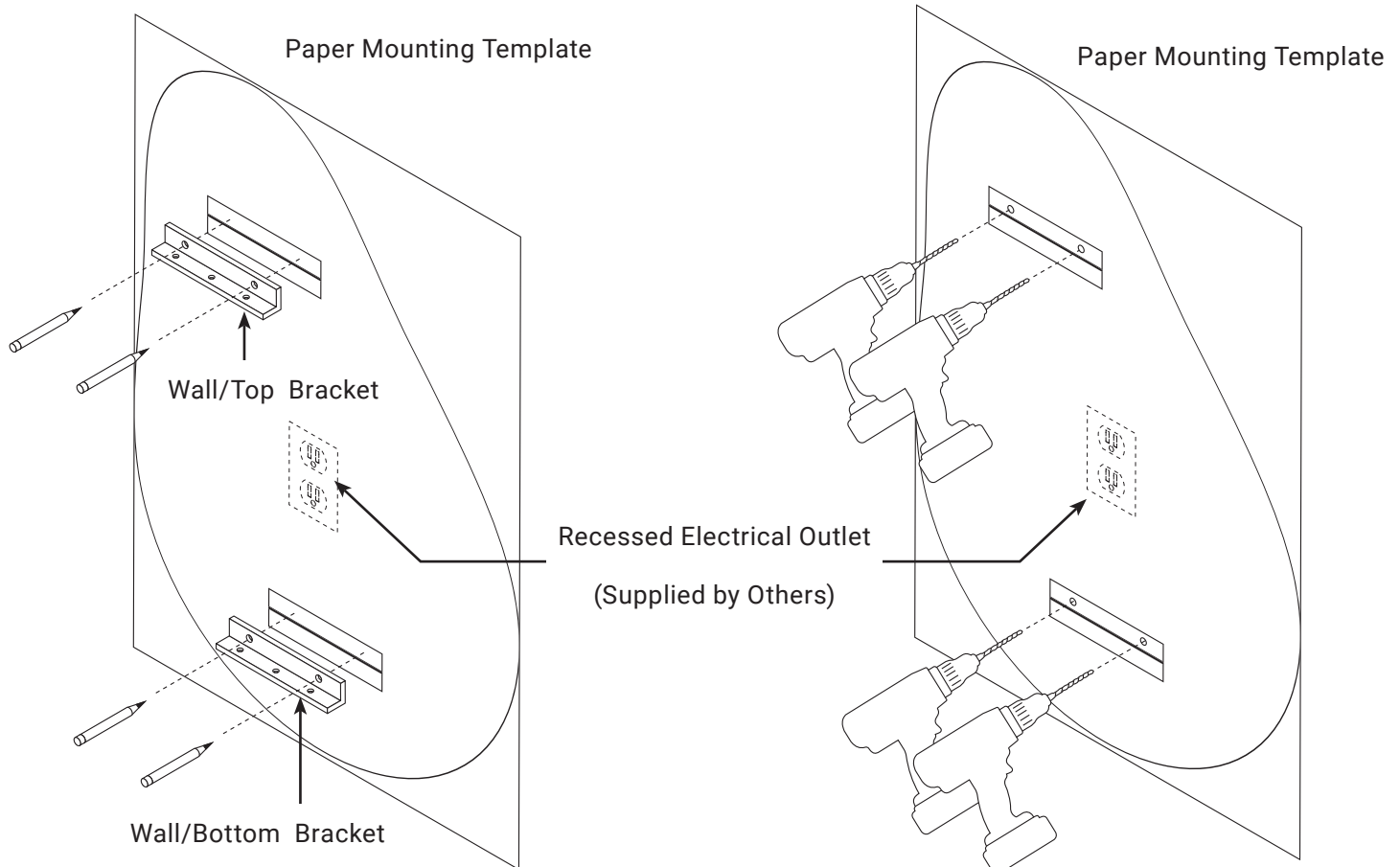
Sign Installation



Two Persons are Recommended for this Installation

PRIOR TO INSTALLATION-Electrical Outlet Requirements

Note to customer & electrician: A recessed electrical outlet (supplied by others) must be installed behind the sign and between the mounting bracket locations, in accordance with National Electrical Code).



1 Paper Mounting Template

Plum & level the paper mounting template on the wall where the sign will be installed. The recessed electrical outlet should be located between the bracket locations.

2 Bracket Mounting

Remove the wall brackets from the sign (the sign will come with the wall brackets mounted to the back of the sign). The wall brackets will only fit the sign side brackets they were fastened to. Be sure to keep them separated (label if necessary). Position the brackets on the designated location on the paper mounting template and mark the pre-drilled holes.

3 Bracket Mounting

Drill four holes in the marked locations using a 1/2" drill bit (use the appropriate bit type for the wall surface you're mounting to). Carefully remove the paper template from the wall.

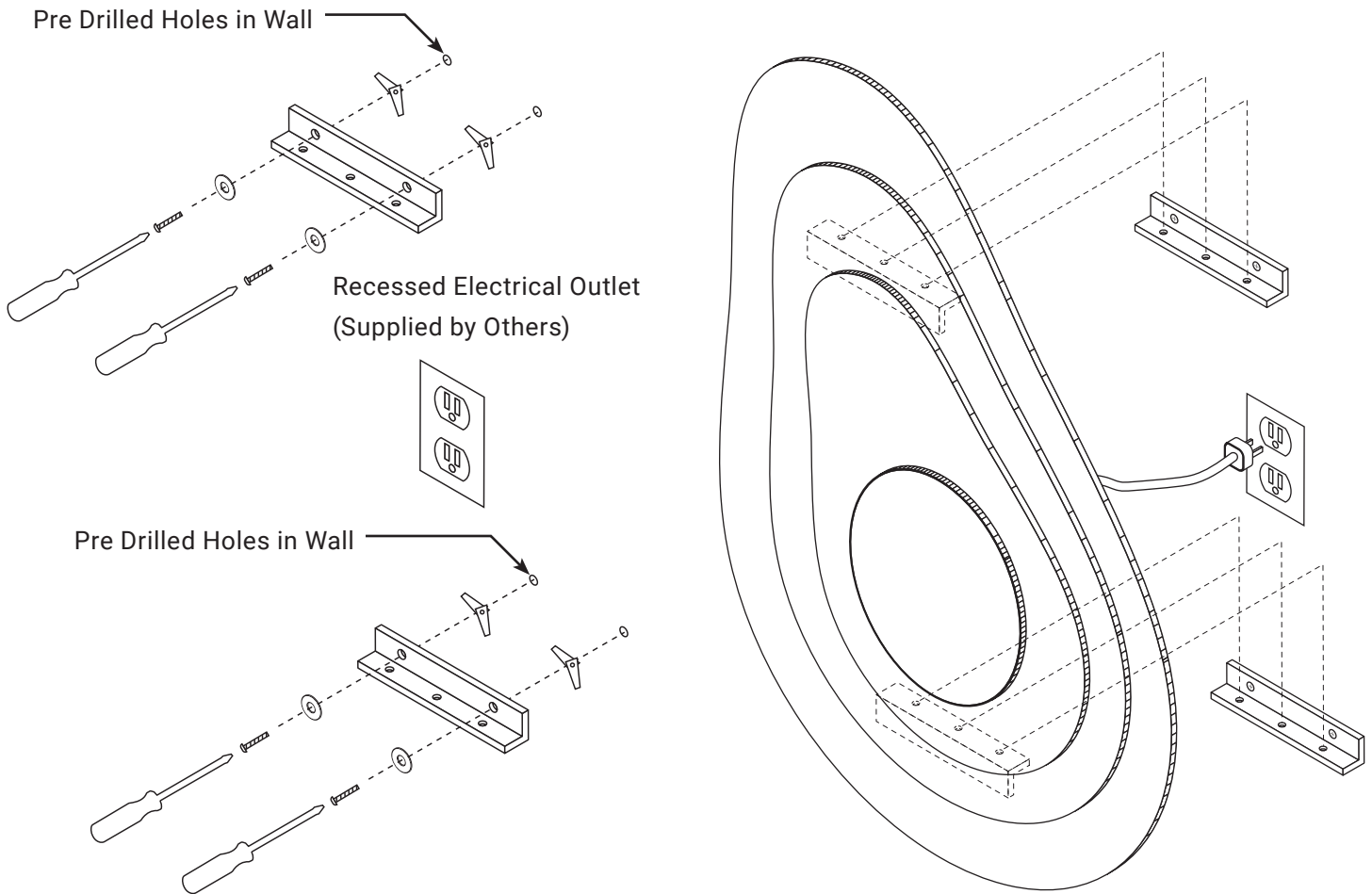
Sign Installation



Two Persons are Recommended for this Installation

PRIOR TO INSTALLATION-Electrical Outlet Requirements

Note to customer & electrician: A recessed electrical outlet (supplied by others) must be installed behind the sign and between the mounting bracket locations, in accordance with National Electrical Code).



4 Bracket Mounting

Using the included hardware, install the two brackets. Be sure they are in the correct position (see drawing).

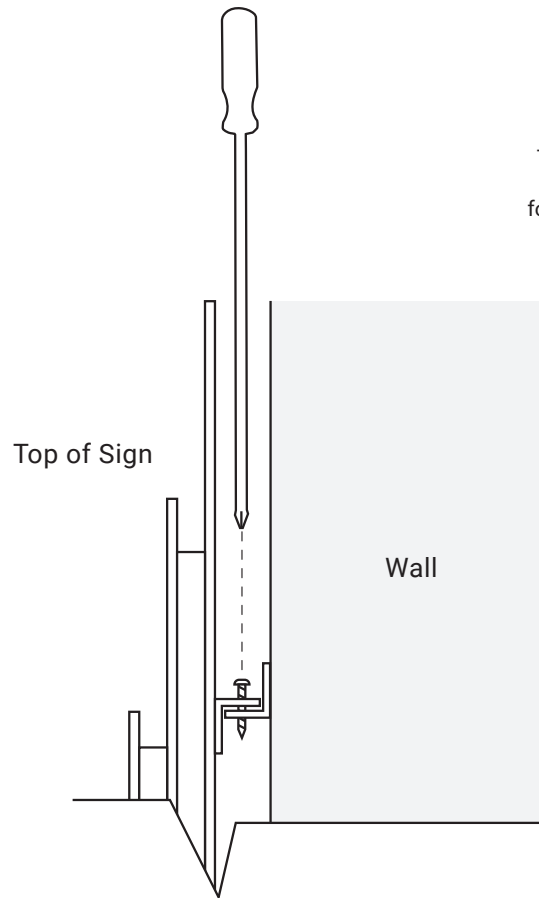
5 Paper Mounting Template

Plug the sign into the recessed electrical outlet and place the sign onto the wall brackets so the holes are aligned. The brackets on the sign should be resting on top of the wall brackets. It is highly recommended that two persons perform this step.

Sign Installation



Two Persons are Recommended for this Installation



⑥ Sign Mounting

Once the sign is in position and plugged in, fasten the sign to the wall brackets using the supplied screws.

Note: A #2 Phillips head screw driver with a 12" shank to reach the screws comfortably.

