



Slim Backlit Frame

INSTALLATION GUIDE

SKU# DSP-SLIM-BKLITFRM-48X72

SKU# DSP-SLIM-BKLITFRM-96X48

SKU# DSP-SLIM-BKLITFRM-96X96

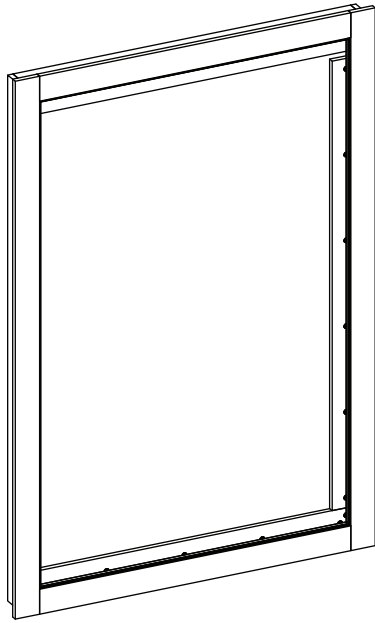
ver. 070523

For Support Call: 603.436.8210

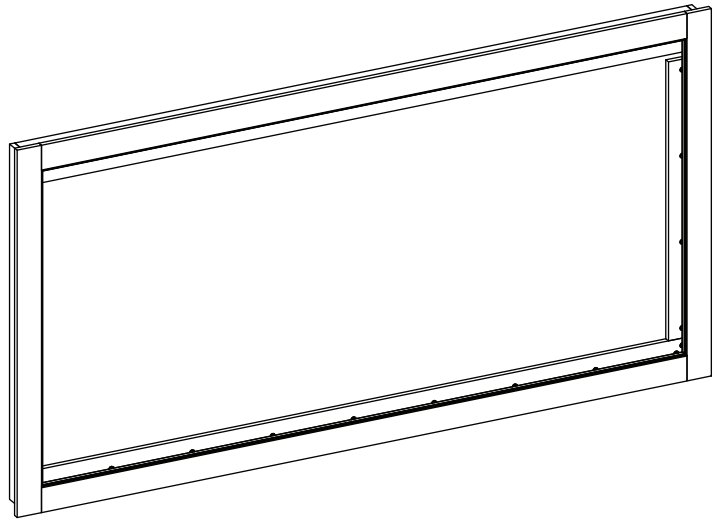


Two Persons are
Recommended
for this Installation

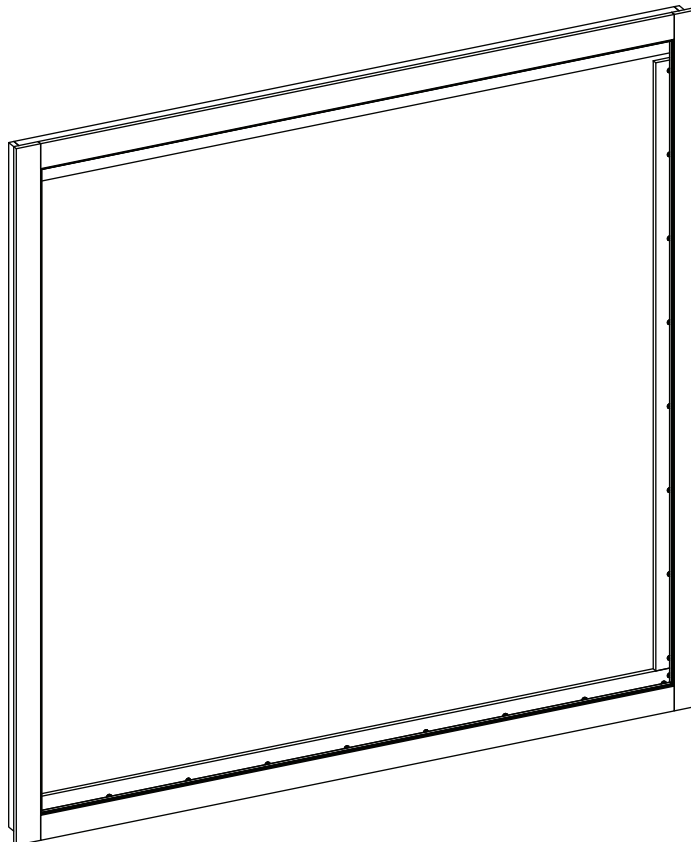
Assembly Instructions



DSP-SLIM-BACKLITFRM-48X72

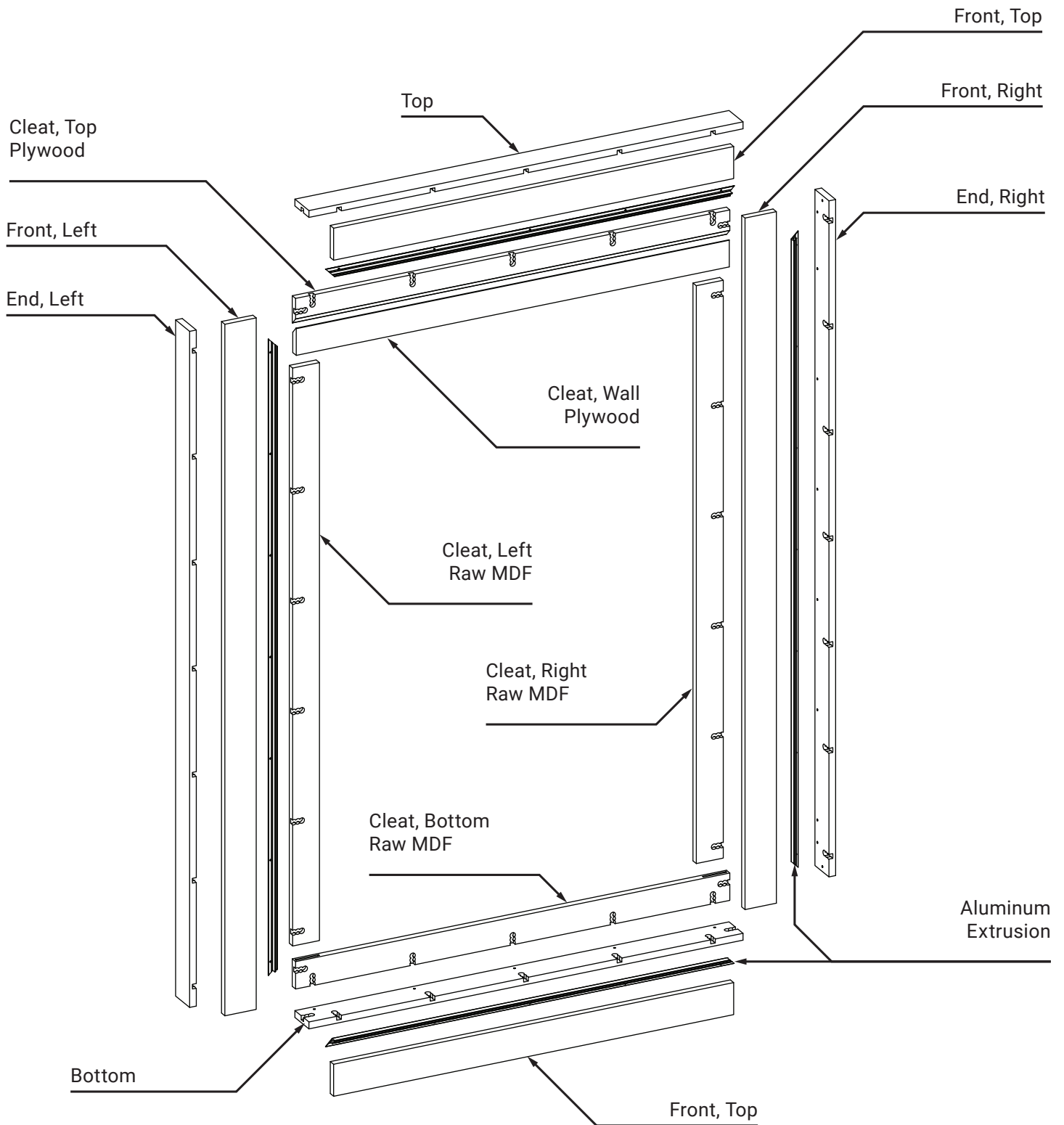


DSP-SLIM-BACKLITFRM-96X48



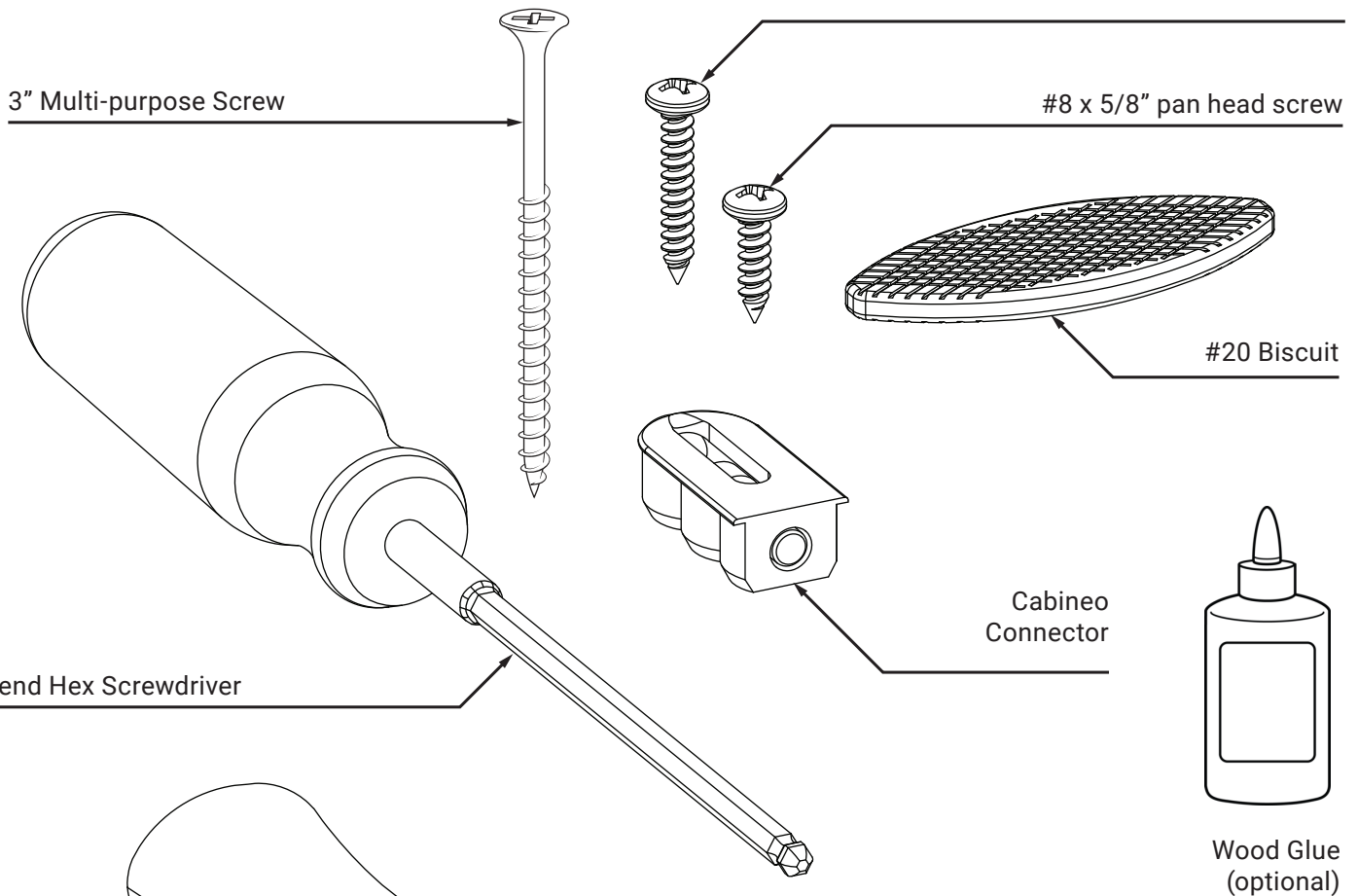
DSP-SLIM-BACKLITFRM-96X96

Parts Identification

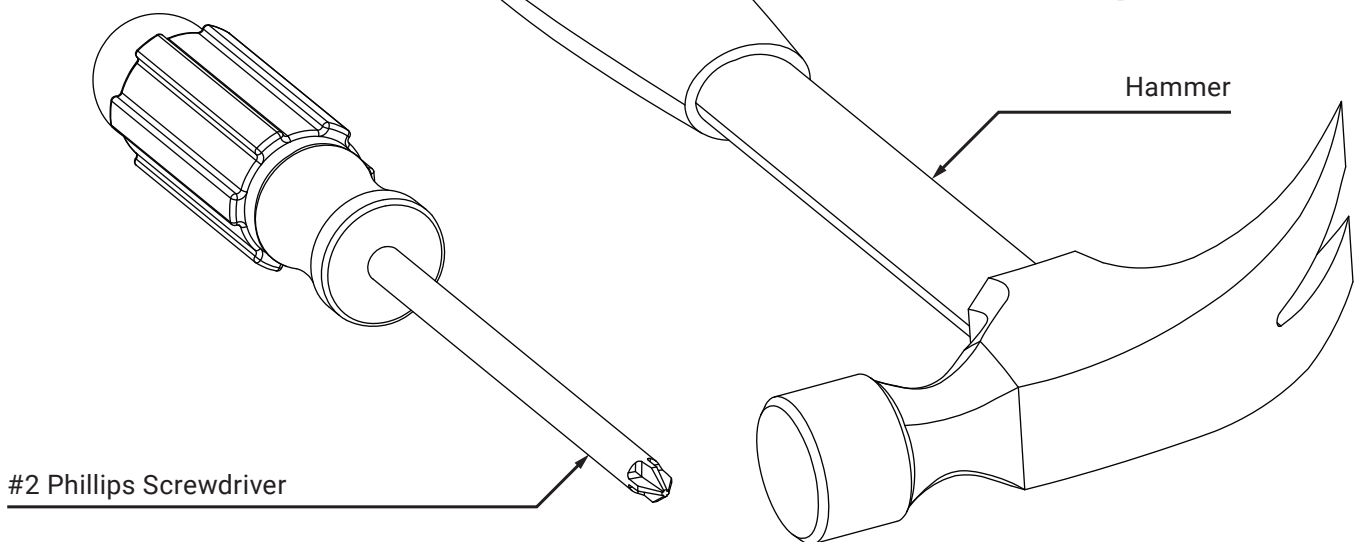


Tools & Hardware Included

#8 x 1" pan head screw
DSP-SLIM-BACKLITFRM-96X48 &
DSP-SLIM-BACKLITFRM-96X96 only

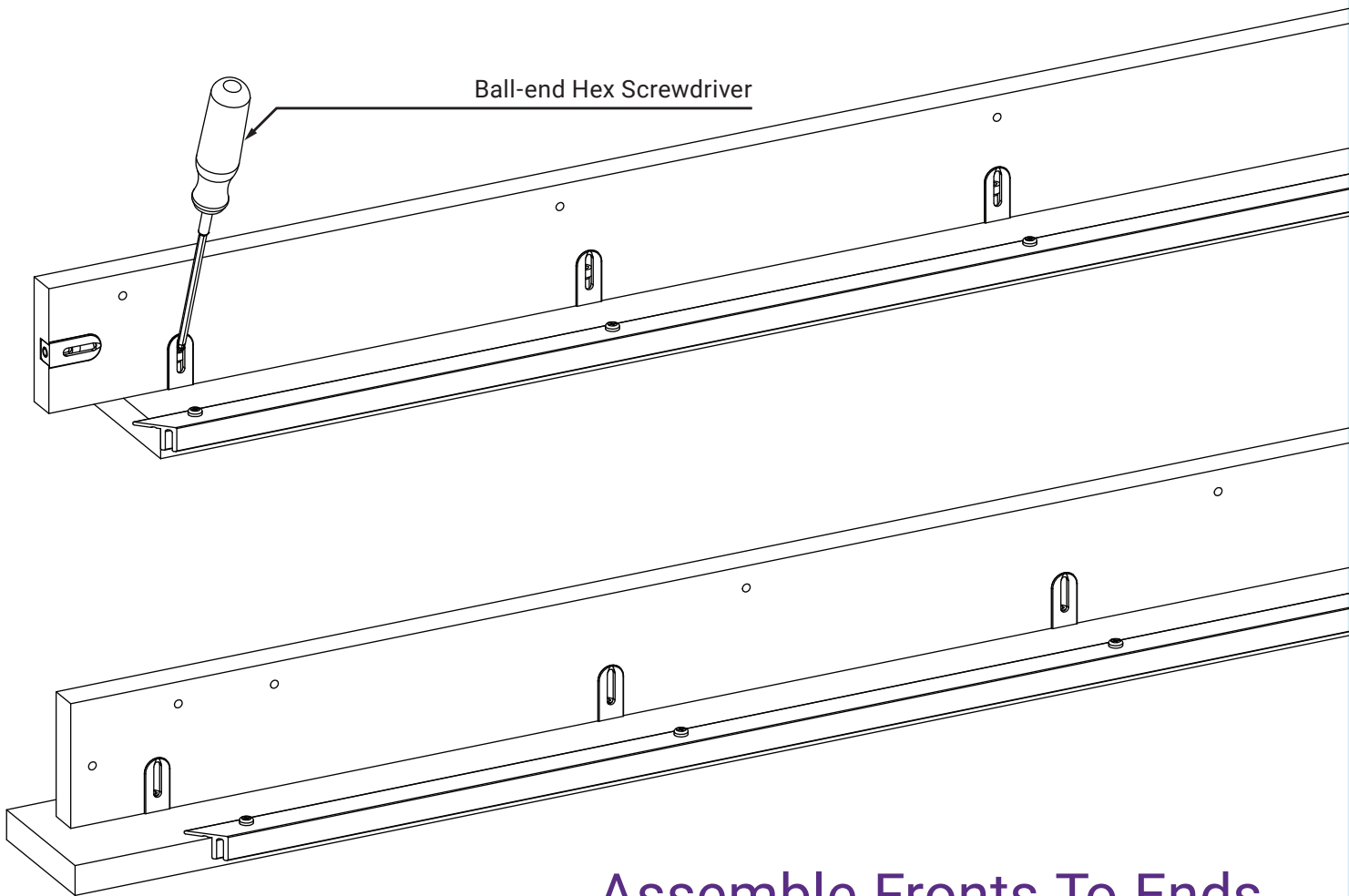
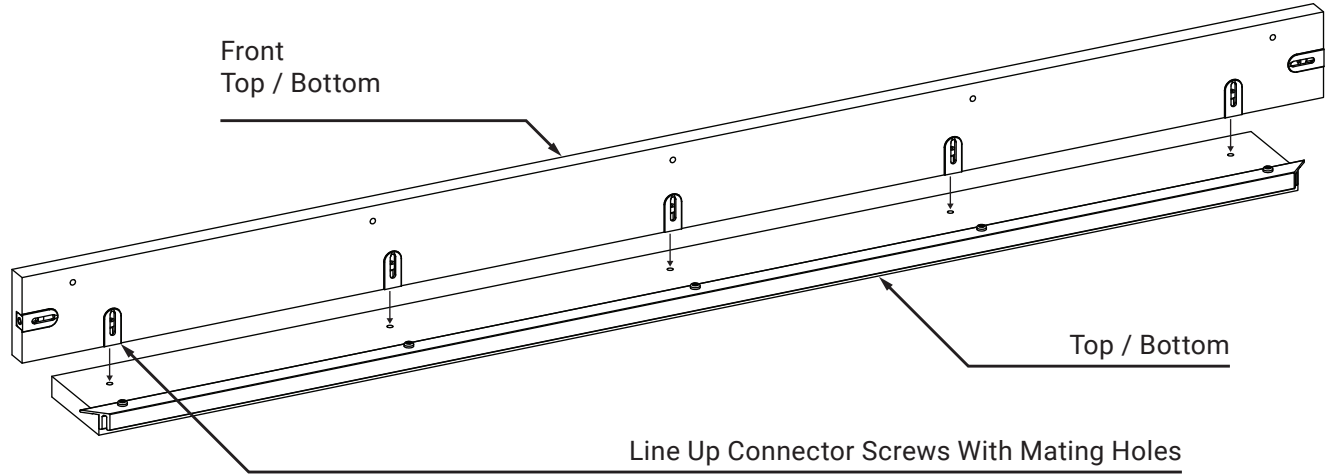


Other Tools Required



Step 1

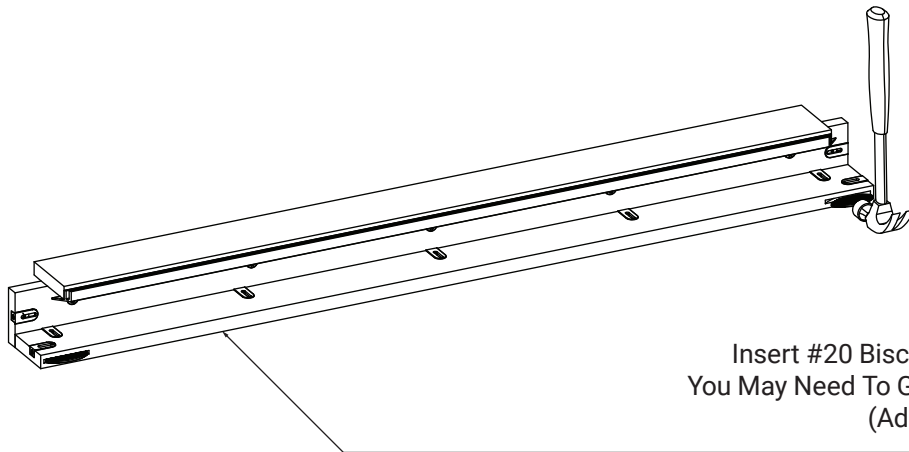
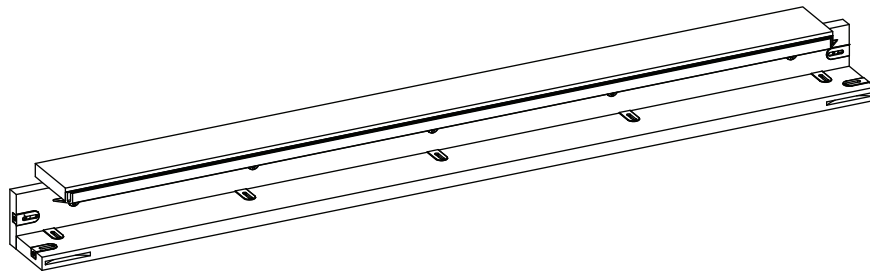
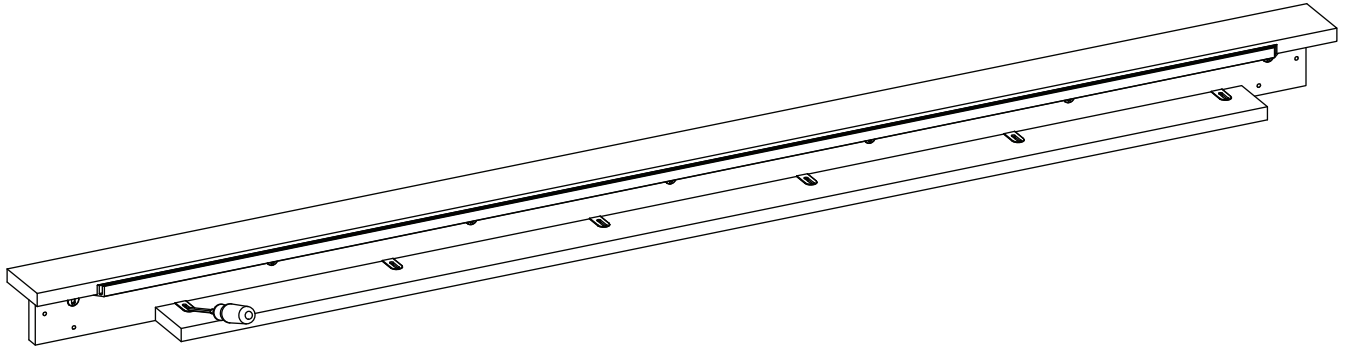
Assemble Fronts To Top & Bottom



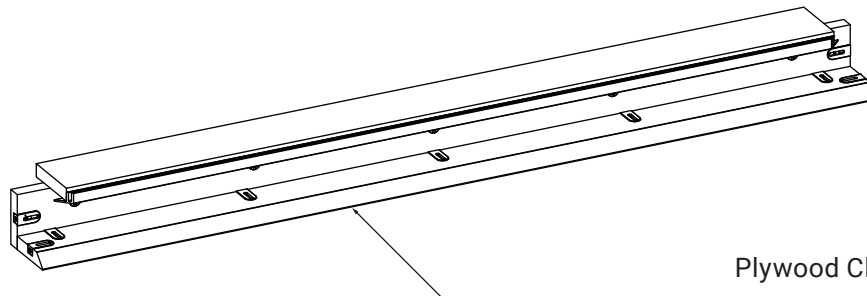
Assemble Fronts To Ends

Step 2

Attach Unfinished Cleats To Their Mating Parts

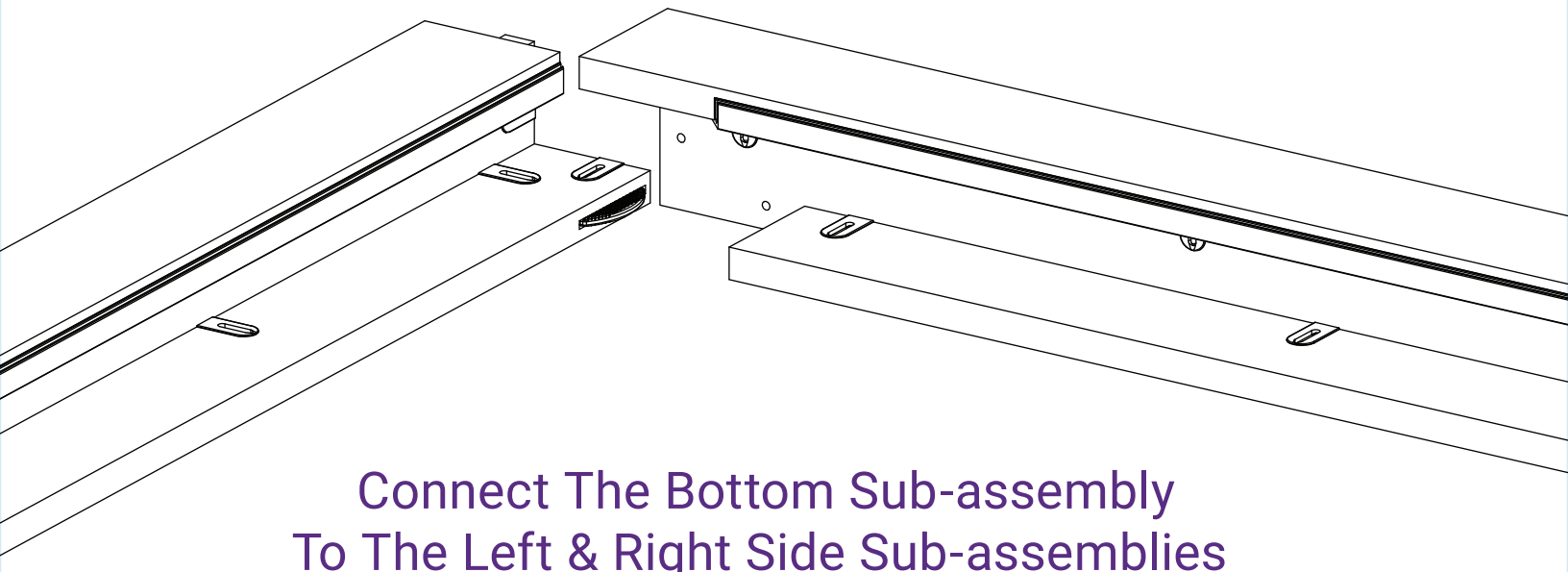


Insert #20 Biscuit Into Each End Of This Cleat
You May Need To Gently Tap It In With A Hammer
(Add Wood Glue For Best Results)

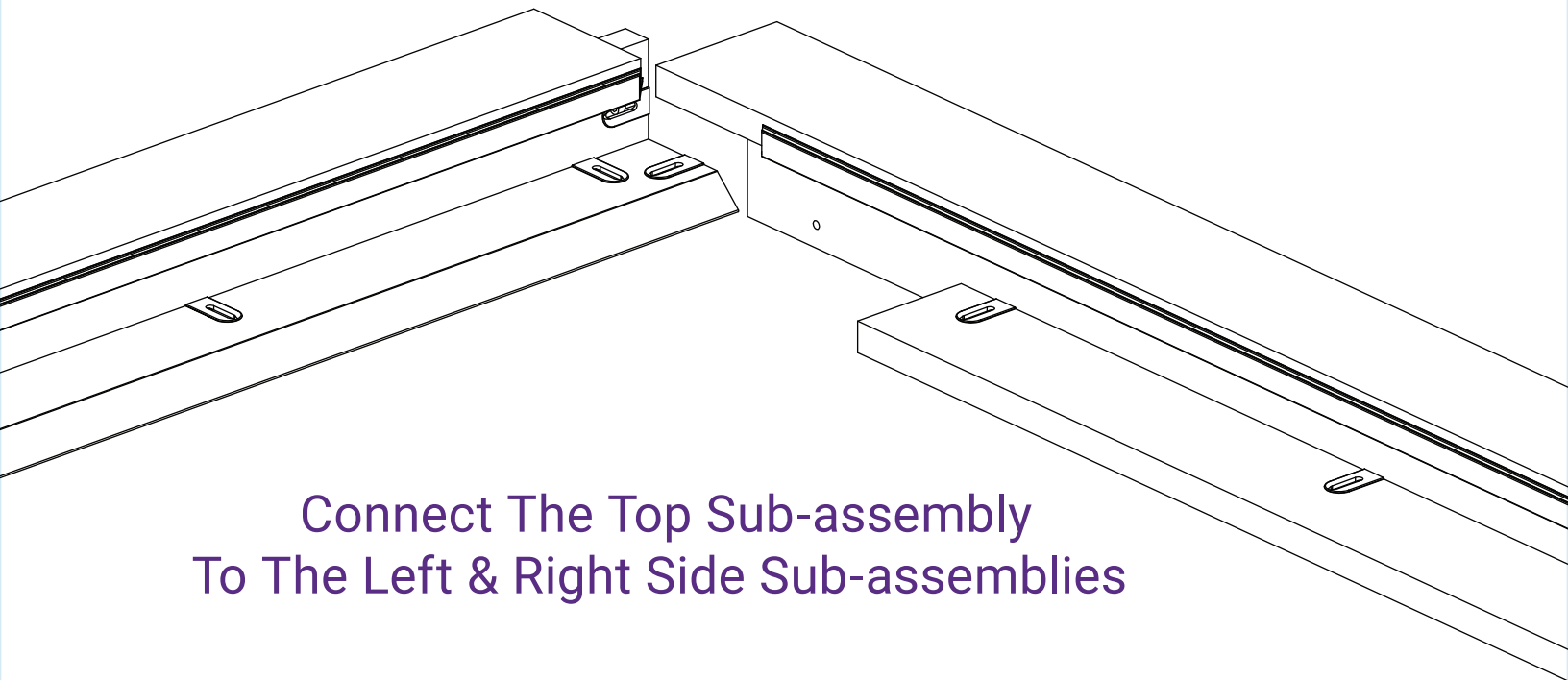


Plywood Cleat With Angled Edge

Step 3



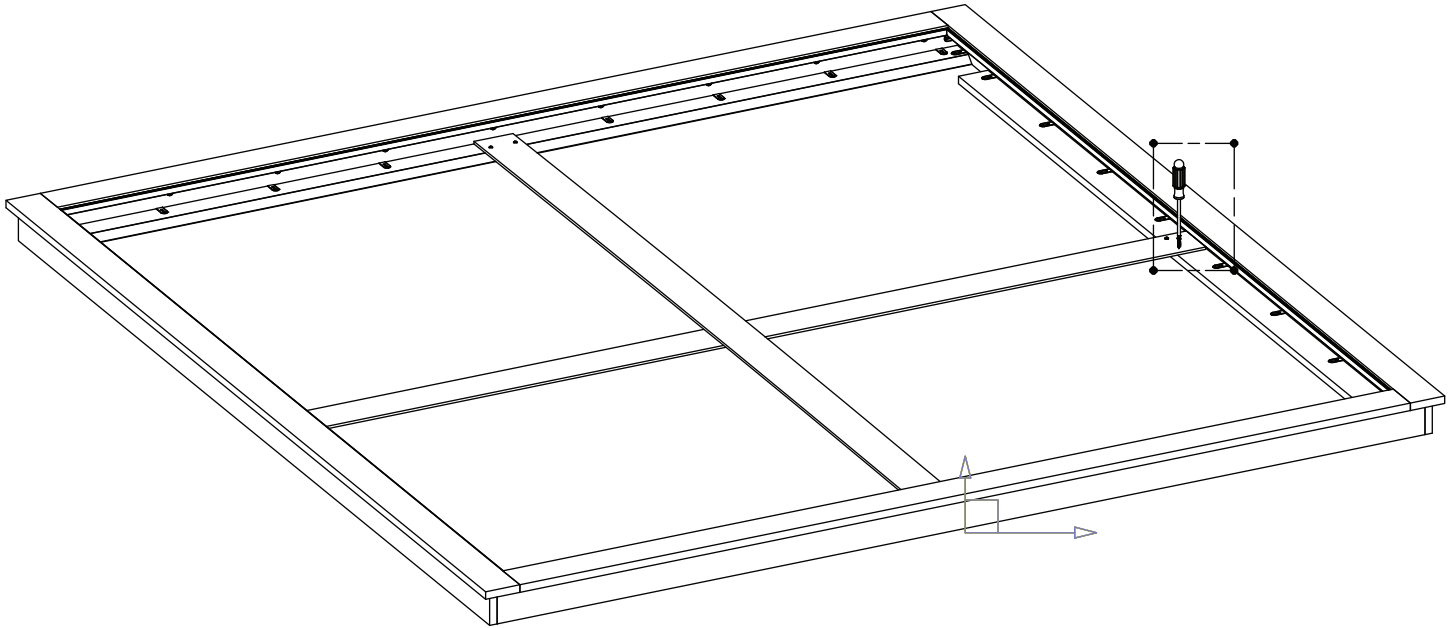
Connect The Bottom Sub-assembly
To The Left & Right Side Sub-assemblies



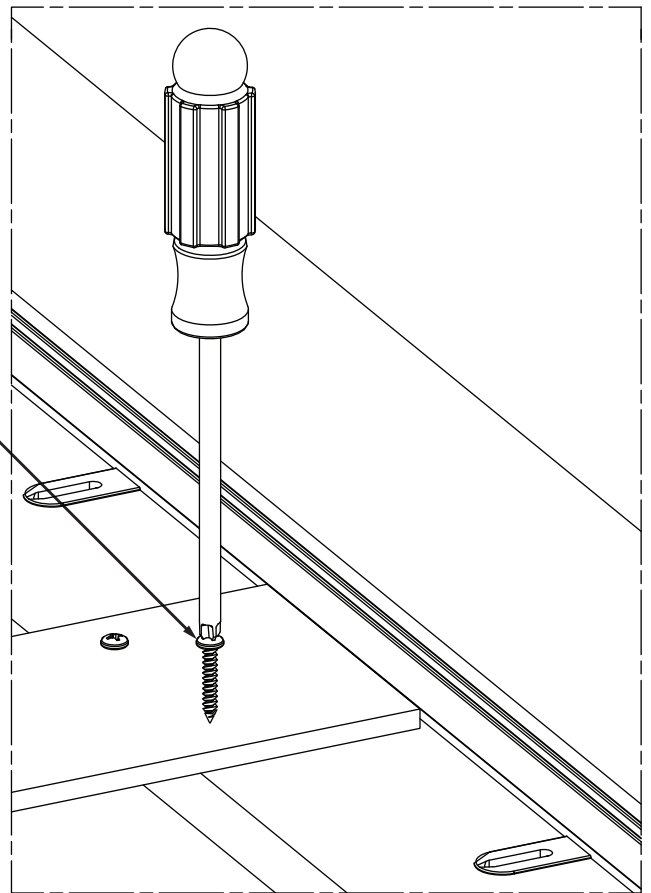
Connect The Top Sub-assembly
To The Left & Right Side Sub-assemblies

Optional Bracing

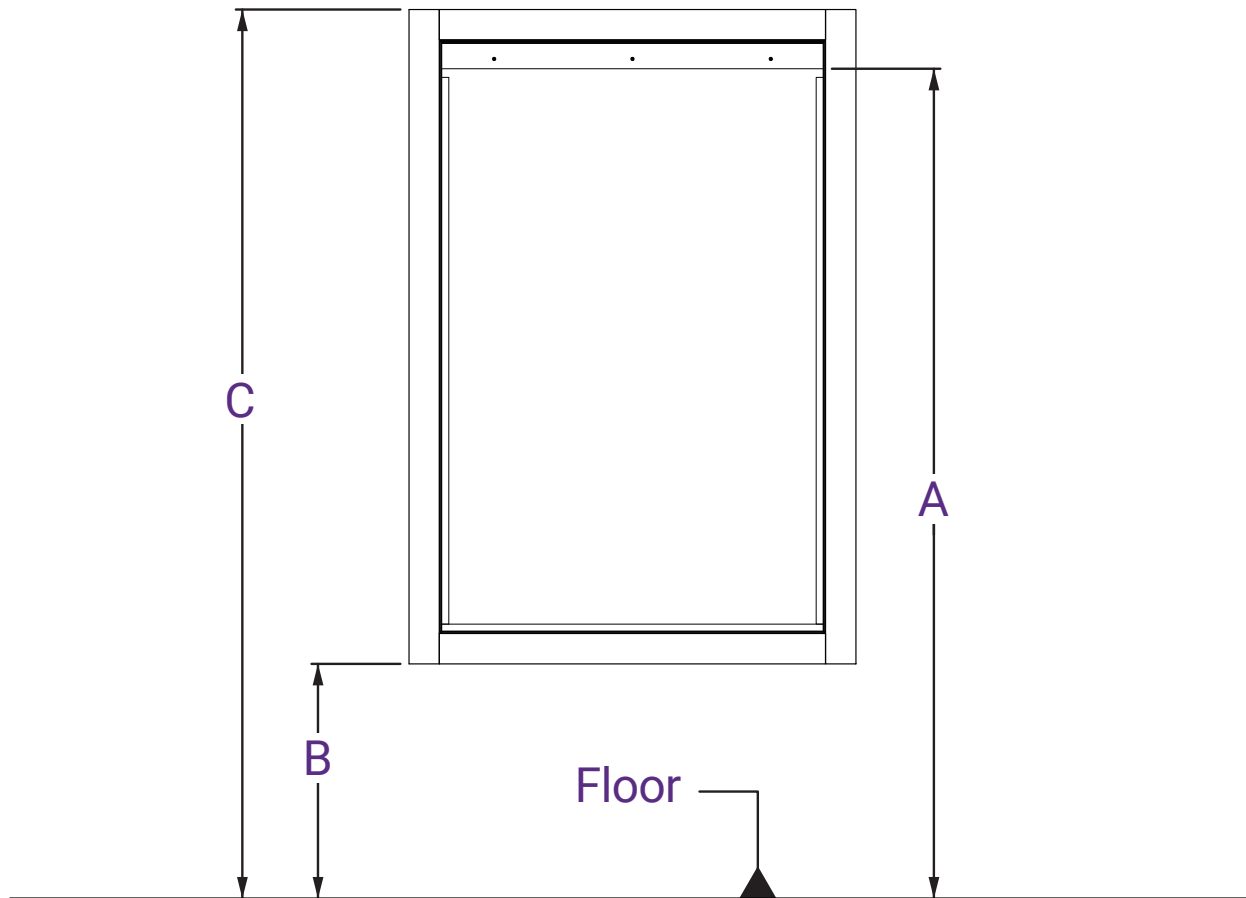
On the larger frames there are 1 or 2 strips of 1/4" material that you can temporarily attach as shown to provide some additional rigidity to the unit when installing it on the wall. If you install this bracing, remove it after the frame is attached to the wall.



#8 X 1" Pan Head Screws



Install the wall cleat using 3" multipurpose screws to available wall studs. Once hung, secure frame to wall studs along the bottom horizontal side of frame using 3" multipurpose screws to eliminate sagging over time. Once hung and secured, remove cross bars if edge lighting is being used.



Frame ID	Frame HT	Frame WD	Using B	Using C
DSP-SLIM-BACKLITFRM-96x96	98"	98"	$A = B + 91\text{-}1/8"$	$A = C - 6\text{-}7/8"$
DSP-SLIM-BACKLITFRM-96x48	51-11/16"	99-11/16"	$A = B + 44\text{-}7/8"$	
DSP-SLIM-BACKLITFRM-48x72	75-11/16"	51-11/16"	$A = B + 68\text{-}7/8"$	

A = Distance from Floor to bottom of Wall Cleat

Examples	If B=60" then A =	If C=120" then A =
DSP-SLIM-BACKLITFRM-96x96	151-1/8"	113-1/8"
DSP-SLIM-BACKLITFRM-96x48	104-7/16"	113-1/8"
DSP-SLIM-BACKLITFRM-48x72	128-7/16"	113-1/8"